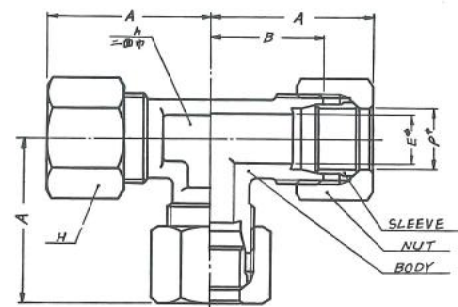


3.5MPa (35kgf/cm²) B1型銅管くい込継手

GT-1型 B1 UNION TEE

単位：mm

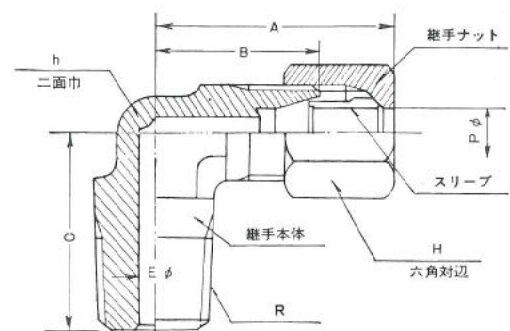
呼称 Designation of Joints	P	A	B	E	h	H
4-B1	4	23.5	16	2.5	8	10
6-B1	6	27	19	4	8	12
8-B1	8	27	19	6	10	14
10-B1	10	29.5	21	8	12	17
12-B1	12	32	22	10	14	19
14-B1	14	35	25	11	17	23
15-B1	15	34.5	25	12	17	23
20-B1	20	38	29	17	23	29
25-B1	25	44	35	20	29	36



GL-2型 B1 MALE ELBOW

単位：mm

呼称 Designation of Joints	P	R	A	B	C	E	h	H
4 × 1/8	4	1/8	25	16	17	2.5	8	10
6 × 1/8	6	1/8	27	19	19	4	8	12
6 × 1/4	6	1/4	27	19	22	4	8	12
6 × 3/8	6	3/8	29.5	21	24	8.5	12	12
6 × 1/2	6	1/2	34	24	31	12	17	12
8 × 1/8	8	1/8	27	19	19	4	10	14
8 × 1/4	8	1/4	27	19	22	6	10	14
8 × 3/8	8	3/8	29	21	24	8.5	12	14
8 × 1/2	8	1/2	34	24	31	12	17	14
10 × 1/8	10	1/8	29	20	23	4	14	17
10 × 1/4	10	1/4	29	21	24	6	12	17
10 × 3/8	10	3/8	29	21	25	8.5	12	17
10 × 1/2	10	1/2	34	24	31	12	17	17
12 × 1/4	12	1/4	32	22	25	6	14	19
12 × 3/8	12	3/8	32	22	26	8.5	14	19
12 × 1/2	12	1/2	34	24	31	12	17	19
14 × 3/8	14	3/8	35	25	28	8.5	17	23
14 × 1/2	14	1/2	35	25	31	12	17	23
15 × 3/8	15	3/8	34	25	28	8.5	17	23
15 × 1/2	15	1/2	34	25	31	12	17	23
20 × 1/2	20	1/2	40	29	34	12	23	29
20 × 3/4	20	3/4	40	29	36	17	23	29
25 × 1"	25	1"	47	35	46	20	35	36



NPT ネジも在庫有り