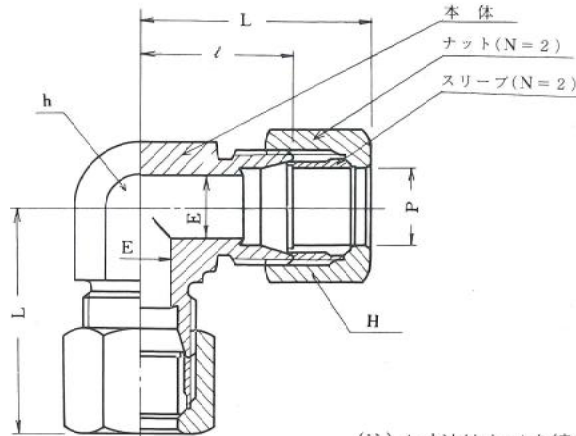


15MPa B型銅管くい込継手  
(150kgf/cm<sup>2</sup>)

GL-1型

UNION ELBOW



(注) L寸法はナットを締付け前の概略寸法を示す。

L denotes the rough dimensions before tightening the nuts. 単位: mm

継手の呼称 Designation of joints	各部の記号 Symbols respective	適用する管の外径 Tube (O.D.)	Minimum Opening	二面巾 Width Across Flats.	六角対辺 Opposite sides of hexagon	ℓ	(約) Approx. L
		P	E	h	H		
GL-1 4-B		4	2.5	12	12	15	23
GL-1 6-B		6	4	14	14	20	29.5
GL-1 8-B		8	6	17	17	22	33
GL-1 10-B		10	8	17	19	23	34
GL-1 12-B		12	10	19	21	24	36.5
GL-1 14-B		14	11	23	26	29	41.5
GL-1 15-B		15	12	23	26	29	41.5
GL-1 16-B		16	13	23	29	29	41.5
GL-1 18-B		18	15	29	32	33	45.5
GL-1 20-B		20	17	29	35	33	45.5
GL-1 22-B		22	18	29	36	33	45.5
GL-1 25-B		25	20	35	41	36	49.5
GL-1 28-B		28	22	41	41	44	57
GL-1 30-B		30	25	41	46	44	58
GL-1 32-B		32	26	41	50	43	61